



FBV FILL & BLEED VALVES

FBV Series Fill & Bleed Valves

The FBV-3 may be used to pressurize or "fill" a chamber or bladder by depressing the toggle in one direction and then de-pressurize or "bleed" that same chamber or bladder by depressing the toggle in the other direction. Toggling back and forth between the inlet and exhaust provides a fine adjustment of the required pressure in the chamber or bladder.

Medium: Air

Input Pressure: 120 psig max.



Materials: Brass body, Nitrile seals, stainless steel stem and spring

Air Flow:

Adjustable

3.0 scfm @ 50 psig
5.0 scfm @ 100 psig

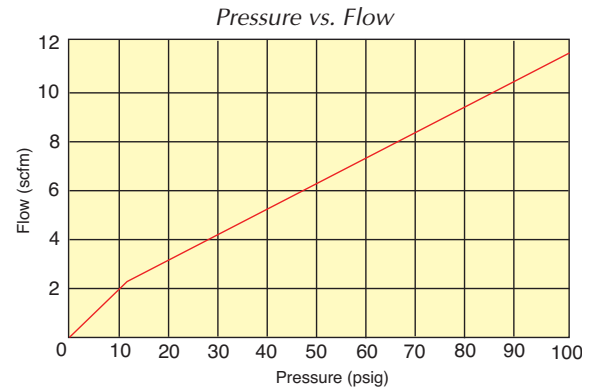
Full-Flow (F)

4.5 scfm @ 50 psig
7.5 scfm @ 100 psig

Toggle: Plastic or ENP Steel

Mounting: 5/8-32 thread. Nut and lockwashers furnished. Two 0.171 mounting holes in body or may be mounted directly on a cylinder.

Force For Full Stem Travel: 8 oz. nominal



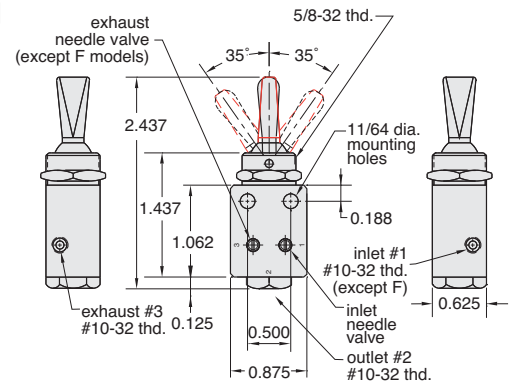
- Adjustable models have built-in needle valves to control flow
- Full flow models may be used as pressure selectors

#10-32 Valves



Full Flow
(Plastic Toggle shown)

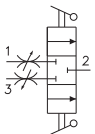
Flow	Function	Toggle	Part No.
Adj.	Detented/Detented	Plastic	FBV-3D
Full	Detented/Detented	Plastic	FBV-3DF
Adj.	Momentary/Momentary	Plastic	FBV-3M
Full	Momentary/Momentary	Plastic	FBV-3MF
Adj.	Detented/Momentary	Plastic	FBV-3DM
Full	Detented/Momentary	Plastic	FBV-3DMF
Adj.	Detented/Detented	ENP Steel	FBV-3DH
Full	Detented/Detented	ENP Steel	FBV-3DFH
Adj.	Momentary/Momentary	ENP Steel	FBV-3MH
Full	Momentary/Momentary	ENP Steel	FBV-3MFH
Adj.	Detented/Momentary	ENP Steel	FBV-3DMH
Full	Detented/Momentary	ENP Steel	FBV-3DMFH



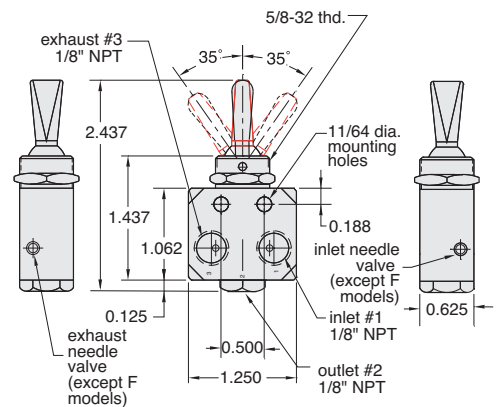
1/8" NPT Valves



Adjustable
(ENP Steel Toggle shown)



Flow	Function	Toggle	Part No.
Adj.	Detented/Detented	Plastic	FBV-3DP
Full	Detented/Detented	Plastic	FBV-3DPF
Adj.	Momentary/Momentary	Plastic	FBV-3MP
Full	Momentary/Momentary	Plastic	FBV-3MPF
Adj.	Detented/Momentary	Plastic	FBV-3DMP
Full	Detented/Momentary	Plastic	FBV-3DMPF
Adj.	Detented/Detented	ENP Steel	FBV-3DPH
Full	Detented/Detented	ENP Steel	FBV-3DPFH
Adj.	Momentary/Momentary	ENP Steel	FBV-3MPH
Full	Momentary/Momentary	ENP Steel	FBV-3MPFH
Adj.	Detented/Momentary	ENP Steel	FBV-3DMPH
Full	Detented/Momentary	ENP Steel	FBV-3DMPFH



Model Number				
FBV-3D & FBV-3DF FBV-3DP	#10-32 1/8" NPT	Detented	SPRING CENTERED all ports blocked	Detented
FBV-3M & FBV-3MF FBV-3MP	#10-32 1/8" NPT	Momentary		Momentary
FBV-3DM & FBV-3DMF FBV-3DMP	#10-32 1/8" NPT	Detented		Momentary

options (suffix)
ENP Plating "ENP" • FKM Seals "V"